

**Sundyne** *ANSIMAG*  
Process Pumps

**KM**  
S E R I E S  
ETFE / PFA LINED  
MAG DRIVE PUMPS



**NEW!**

Introducing the **KM1516LF**  
for low flow pumping applications.

WE KNOW  
**LowFlow**



# Reliable, Safe, Sealless

FROM SUNDYNE - **THE** LOW FLOW EXPERTS

## Ansimag KM Series

### Ideal For:

- ✓ Chemical Injection
- ✓ Chemical Transfer
- ✓ Wet Scrubbing
- ✓ Metal Plating
- ✓ Steel Pickling

### Typical Liquids:

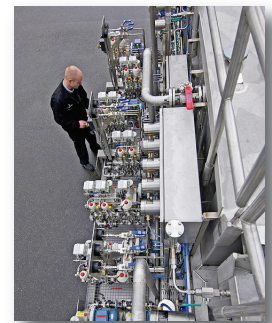
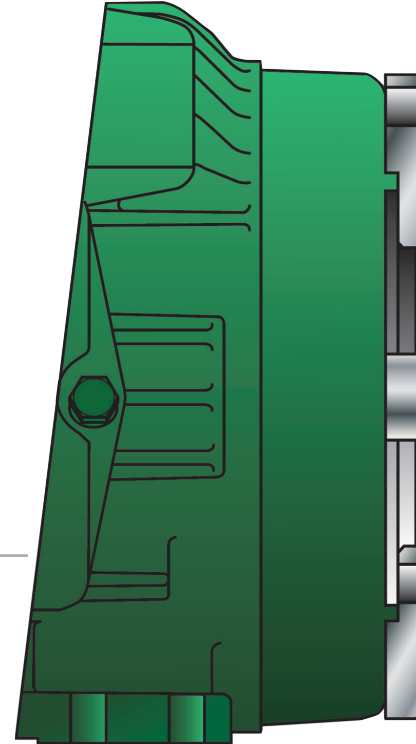
- ✓ Acids
- ✓ Sodium Hydroxide
- ✓ Sodium Hypochlorite
- ✓ Solvents

### Designed For Reliability:

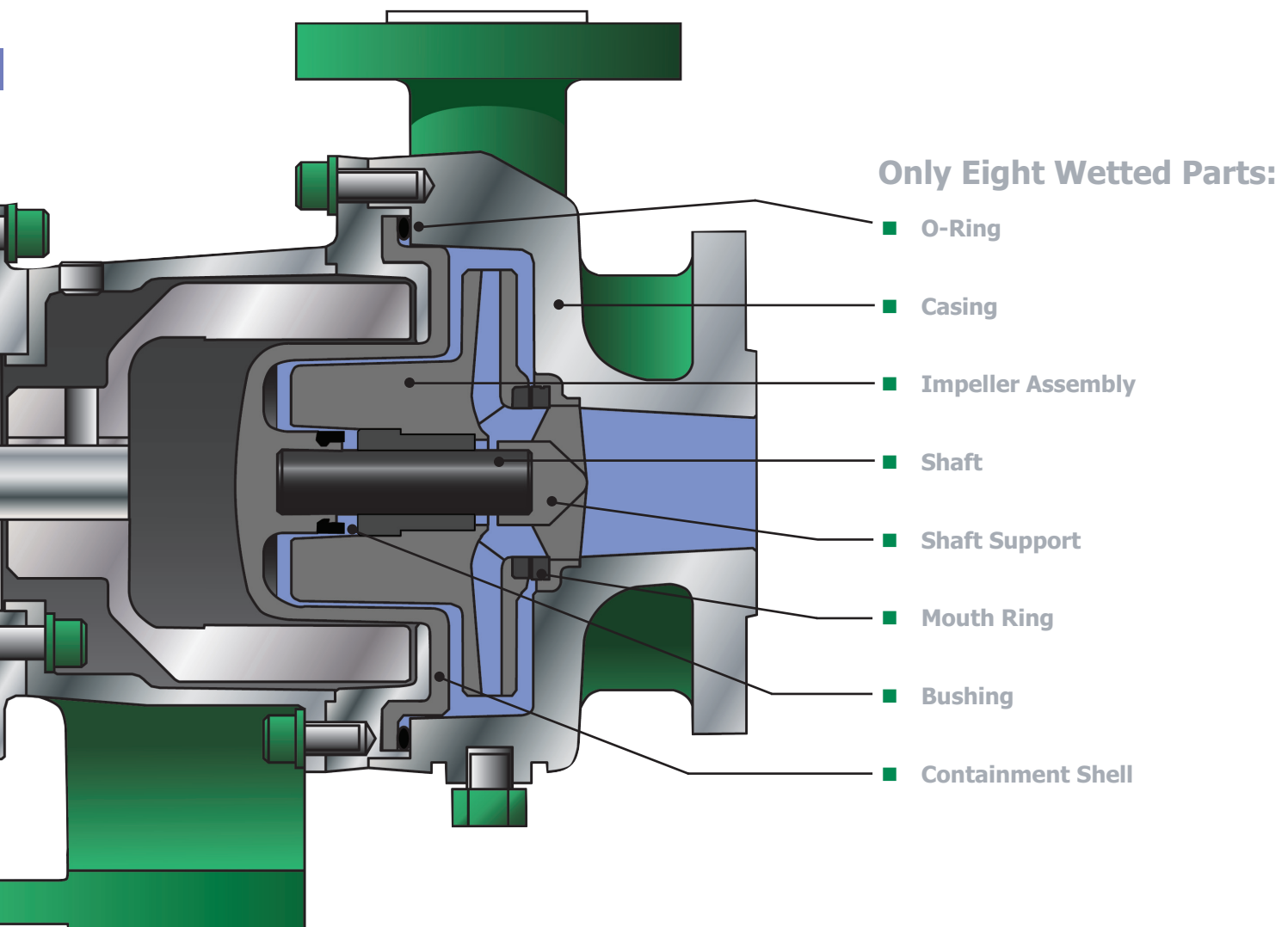
- ✓ Fully supported, large diameter, shaft for ZERO shaft deflection (*even at low flow*)
- ✓ Rigid ductile iron exterior for metal pump toughness
- ✓ Silicon Carbide Bearings for maintenance free operation
- ✓ Oversized thrust rings to handle off duty operation
- ✓ Single, oversized, static O-ring for secure casing sealing
- ✓ No barbs or retaining rings used to hold parts in place

### Built For Performance:

- ✓ Synchronous "mag drive" coupling for zero slip operation
- ✓ Closed Impeller design for maximum hydraulic efficiency and low NPSHr
- ✓ Kevlar® composite containment shell to withstand high operating pressure
- ✓ Minimum flow rates down to 1GPM -- ideal for replacing large, expensive-to-maintain metering pumps
- ✓ Patented Sundyne hydraulic design (LF) for optimum efficiency and enhanced operating control at low flow rates



**Ideal for Chemical injection operations and much more...**

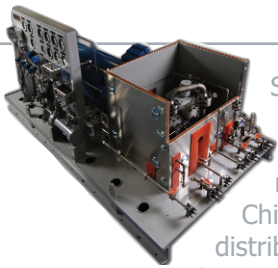
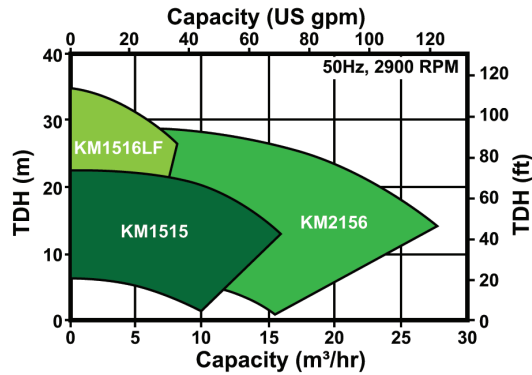
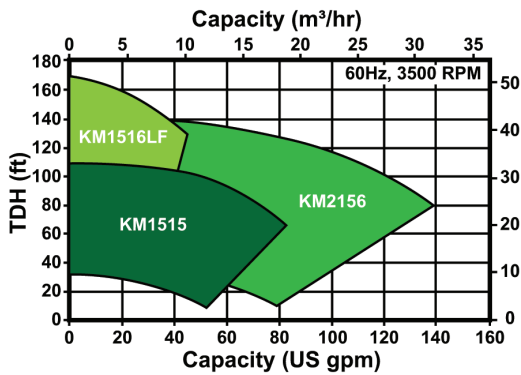


### Standard Features & Benefits:

- Sealless design for ZERO leakage
- ETFE or PFA (non-metallic) lining for universal chemical compatibility - significantly less costly than exotic metal alloys
- Heavy Duty construction with a compact, close coupled footprint
- Universal Flanges designed to work with ANSI, DIN and JIS flange connections
- Powder Coated metal surfaces for maximum protection from external elements
- Made in the USA

### Low Total Cost of Ownership:

- ✓ Non-Metallic containment shell for maximum sealless pump efficiency
- ✓ Close Coupled, "Sub-ANSI", configuration; no coupling to align or bearings to maintain
- ✓ Simple Construction for easy maintenance
- ✓ No mechanical seal to maintain
- ✓ Available in three economically-priced sizes:
  - **KM 1515**
  - **KM 1516LF**
  - **KM 2156**



Sundyne® Corporation designs and manufactures highly reliable industrial pumps and process gas compressors. Sundyne corporate headquarters is located in Arvada, Colorado USA, with manufacturing and service facilities in England, France, Spain, China and Japan. Channel Partners made up of representatives and distributors serve customers in 117 countries.

The Sundyne family of centrifugal pumps are used across the process industries in applications like: refining, petro-chemical, fertilizer production, steel, pharmaceuticals, silicon development, chemical processing, power generation, pulp and paper, pipeline, beverage production, food processing including hot oils, municipal, agricultural, osmosis, waste and wash water.

Sundyne centrifugal integrally geared compressors are engineered to run continuously for seven years under API-617 and API-614 standards. The high-speed, high-pressure compressors are available in both single and multi-stage configurations. Sundyne compressors are utilized for refining, petro-chemical, gas processing, LNG, sulfur specialty gases, silicon manufacturing, chemical processing, power generation, oil and gas production, pipeline, and refrigeration.

Specialty custom engineered skid-packages for both pumps and compressors are available for reliable service in the harshest environments including refineries and off-shore platforms.

Sundyne was born from the Aerospace industry with the development in 1957 of the first low flow pump for the Boeing 707. Since then Sundyne has manufactured thousands of reliable low flow pumps for a multitude of industrial applications.

We are the Low Flow experts...



PUMPS

COMPRESSORS

GENUINE PARTS

SERVICE



**Sundyne Corporation**  
14845 West 64th Avenue  
Arvada, Colorado 80007  
USA

Phone: 1.303.425.0800  
Fax: 1.303.425.0896  
[www.sundyne.com](http://www.sundyne.com)

© 2010 Sundyne Corporation  
All Rights Reserved  
01.0810A KMLF/POD